



Salient pictured with the wireless Remote Control Unit (DC009DW only)

**Mobile, Reliable, Simple**

**medRAD<sup>®</sup> Salient**  
Contrast Injection System

# Mobile, Reliable, Simple



## Salient Injector System

The SALIENT™ Contrast Injection System has been engineered to deliver safety and performance with superior lifetime value.

Ideal for your contrast injection needs, Salient brings innovation and value to CT suites by combining mobility, simplicity and reliability.



## Control Room Monitor

- Wi-Fi enabled controls keep your Salient injector wireless and mobile
- Complete injector protocol management - all from within the control room
- Real-time injection pressure and flow metrics
- Responsive interface - with all the advantages of a touch screen tablet PC
- Store, review and export up to 100 past injections including pressure and flow rate
- Utilizes a secure, self-contained, stand-alone peer-to-peer injector-to-monitor Wi-Fi connection



## Clinical Highlights

### Reliable, Reproducible Injection Protocols

Salient provides dependable, reproducible flow rates and pressures that can consistently deliver injection protocols.

### Flexible Protocol Management and Storage

Clinicians can create customized protocols (of up to 6 phases) to accommodate both simple and complex studies. Up to 20 customized injection protocols can be saved directly to the injector.

### Can increase Staff and Patient Safety

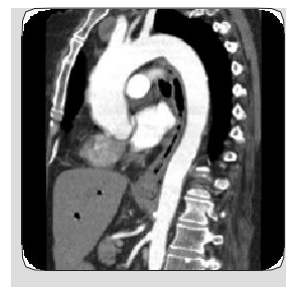
Salient's cordless design removes injector cables from the floor, allowing for a safer clinical environment for conducting imaging procedures.

### Injection and Procedure Review

Review the previous 40 injections at the injector head or add the optional Control Room Monitor (CRM) to review up to 100 previous injection profiles, volume, pressure and flow metrics – all exportable for storage and analysis.

### Flexibility within Busy Clinical Workspaces

Salient's mobile and compact design allows flexibility of injector positioning during use and ease of storage when not in use.



<sup>1</sup> Images used with permission

# MEDRAD Salient™ Contrast Injector

## Specifications Overview

### Functional

Maximum pressure	300 psi
Flow rate	0.1 to 10 ml/s
Maximum volume	190 ml
Multi-phase protocols	Up to six phases Storage for 20 different named protocols
Manual fill rate	Up to 10 ml/s
Auto fill rate	Up to 10 ml/s

### Controls

<b>Base</b>	Line power IEC Inlet On/off switch
<b>Head</b>	5.7" LCD touch screen Arm button On/off soft switch
<b>Hand switch (optional)</b>	Inject now/stop
<b>Foot switch (optional)</b>	Inject now/stop
<b>Infrared Remote control</b>	Inject now/stop

### Mechanical

Weight	22.9 kg
Height	1315 mm
Floor area	500 mm x 500 mm
No. of wheels	4 castors, all individually locking

### Electrical

Line voltage	100 – 230 VAC
Line frequency	50/60 Hz
Battery operation	Dual batteries, sealed lead acid
Mains power operation	Simultaneous operation and battery charging
Contrast heat maintainer <i>(one (1) included)</i>	37°C +/- 4°C, 5W

### Ordering Details

PART NAME	PART NO
Salient Single Injector	DC009S
Salient Single Injector with Remote Control Unit	DC009SW
Scanner Interface Box (Optional)	DC200
Connector Tubing Single (Box of 50)	ZY5151
Syringe with quick fill tube (Box of 50)	ZY6322
Syringe with fill spike (Box of 50)	ZY6323
Syringe with fill spike, single LPCT (Box of 50)	ZY6324
Syringe with quick fill tube (Box of 50)	ZY6325
Foot Switch	SF0004
Hand Switch	SF0005
Wall Loader	MDL001
Heat maintainer (one (1) included)	DC022
Operations Manual - Multilanguage CD (one (1) included)	MN040015

All Imaxeon products feature a one-year warranty.

Visit our website [www.imaxeon.com](http://www.imaxeon.com)

Bayer, the Bayer Cross, MEDRAD, and IMAXEON are trademarks of the Bayer group of companies.

Imaxeon Pty Ltd is a subsidiary of Bayer Medical Care, Inc. MEDRAD is a federally registered trademark of Bayer Medical Care, Inc. USA. Salient is a trademark of Bayer Medical Care, Inc. Used by permission of Bayer Medical Care, Inc. In the interest of continually improving product quality the specifications shown on this brochure may change at the discretion of the manufacturer.

<sup>1</sup> Diagnostic images courtesy of Royal Prince Alfred Hospital.

A Quality Company  
EN ISO 13485:2012



Imaxeon Pty Ltd  
ABN 93 093 950 906

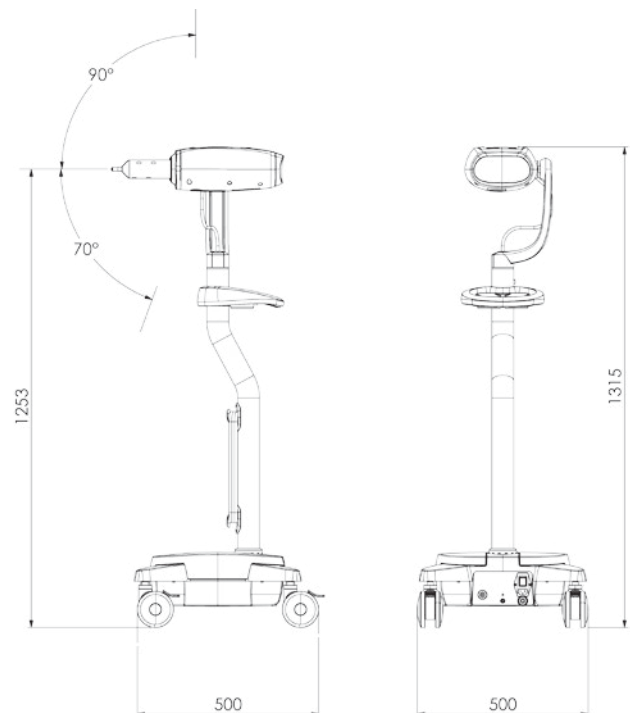
Rydalmere Metro Centre Unit 1, 38-46 South St Rydalmere NSW 2116 Australia  
PO Box 150 Rydalmere BC NSW 1701 Australia

t + 612 8845 4999  
f + 612 8845 4936

e [info@imaxeon.com](mailto:info@imaxeon.com)  
w [www.imaxeon.com](http://www.imaxeon.com)

## DIMENSIONS

### Side View



### Top View

